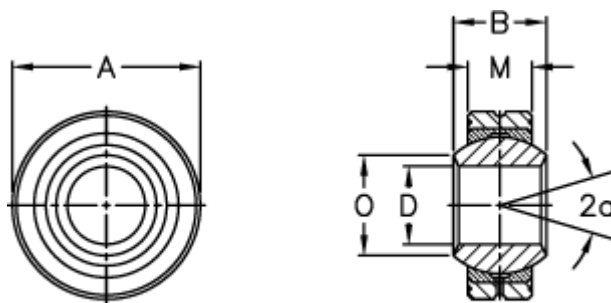


Article number: 03402005

Description: Fluro Rod end GLRS 5

## Measures



Str. 3 uden smørerille

A	= 16
a (degrees)	= 13
B	= 8
D	= 5
Dynamic load C (kN)	= 3.3
M	= 6
O	= 7.7
Permissible rpm	= 1200

Static load C0 (kN)	= 19.8
Weight	= 8